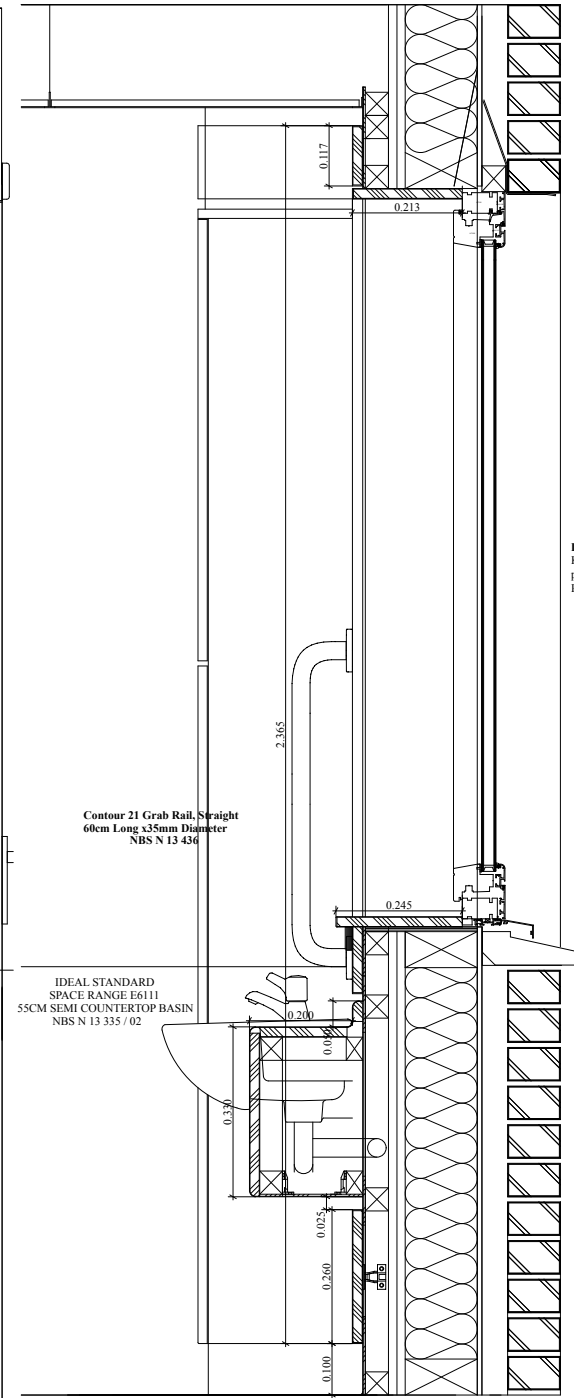
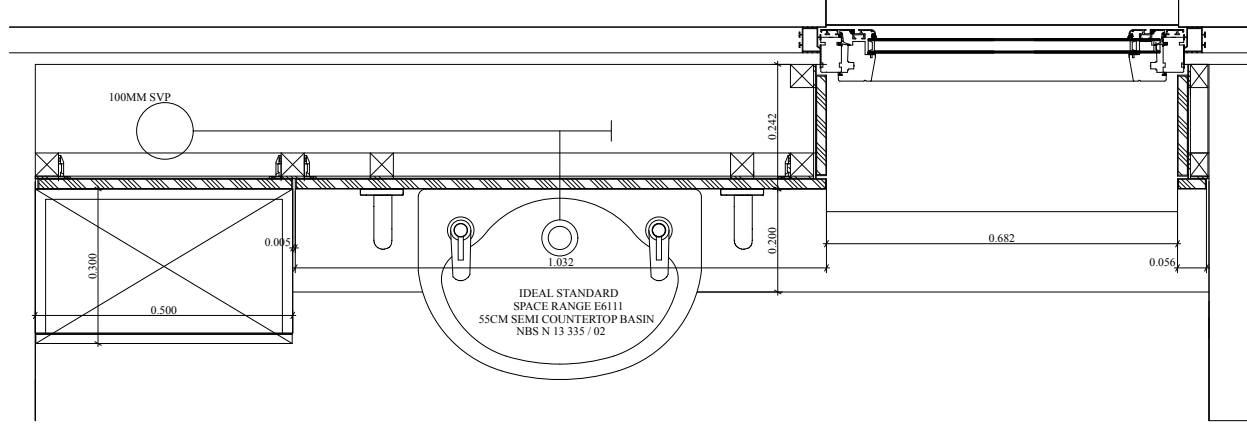


1-5 ELEVATION OF DUCT PANELS AND VANITY UNIT PROPOSED

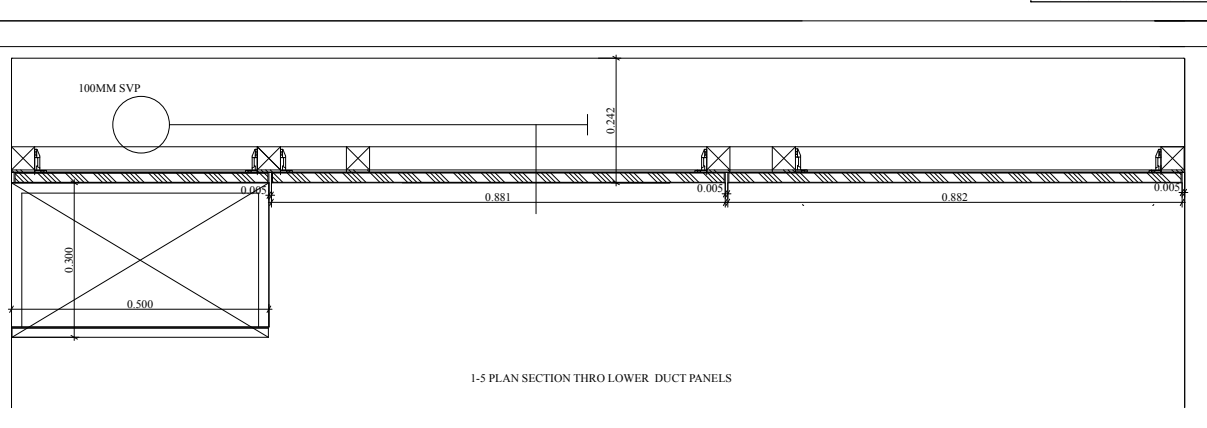


1-5 VERTICAL SECTION OF DUCT PANELS AND VANITY UNIT PROPOSED

1-5 VERTICAL SECTION OF DUCT PANELS AND VANITY UNIT PROPOSED



1-5 PLAN SECTION THRO DUCT PANELS AND PLAN OF VANITY UNIT



1-5 PLAN SECTION THRO LOWER DUCT PANELS

Contour 21 Grab Rail, Straight
60cm Long x35mm Diameter

Space 55cm Semi-Countertop Basin, 2 Tapholes & Overflow
NBS N 13 335 / 02

Elements Basin Pillar Taps With Lever Handles

Duct Panel fixings
Keku clips fixed to the rear of panel positioned to the side of framing studs
Panels removed by pulling force

Duct Panel fixings
Keku clips fixed to the rear of panel positioned to the side of framing studs
Panels removed by lifting force

Heavy-weight fixings parallel to surface
Suitable for heavy-weight fixings where the applied load is fixed and continuous, and also for medium-weight fixings where the load may be subject to some movement (eg. removable object), to a maximum of 40kg per linear meter.

Heavy weight fixings Parallel to surface
Parallel to surface low level fixtures rail height to suit application

Heavy-weight fixings with movement
This detail is used where the applied load is not directly adjacent to the board surface, thus producing a moment (or twisting force) that the other fixing details are not capable of withstanding. This detail is also suitable for fixing items that are likely to receive rougher than usual treatment - The maximum load should be 50kg no further than 500mm from the board surface.

Heavy weight fixings Parallel to surface - Low Level fixtures
for use at low-level where there may be a requirement for the Duct Panels to take a heavier than normal load. The maximum load should be 80kg per linear meter.

ITEM NO.	QTY	DESCRIPTION	UNIT	PRICE	TOTAL
1	1	Contour 21 Grab Rail, Straight	60cm Long x35mm Diameter	10.00	10.00
2	1	Space 55cm Semi-Countertop Basin	2 Tapholes & Overflow	150.00	150.00
3	1	Elements Basin Pillar Taps With Lever Handles		50.00	50.00
4	1	Duct Panel fixings	Keku clips fixed to the rear of panel	10.00	10.00
5	1	Duct Panel fixings	Keku clips fixed to the rear of panel	10.00	10.00
6	1	Heavy-weight fixings parallel to surface		10.00	10.00
7	1	Heavy weight fixings Parallel to surface	Parallel to surface low level fixtures	10.00	10.00
8	1	Heavy-weight fixings with movement		10.00	10.00
9	1	Heavy weight fixings Parallel to surface - Low Level fixtures	for use at low-level where there may be a requirement for the Duct Panels to take a heavier than normal load.	10.00	10.00

Listing for Proposed works

CIS CRAWFORD INTEGRATED SYSTEMS

Company Registered in England No. 11345678
VAT No. 254 856 789
19th Floor, 100 Broad Street, Birmingham, B2 4DL
Tel: 0121 633 1111
Email: sales@ciscrawford.co.uk

Drawn by: AD, Verified by: JC, Date: 01.04.14, Scale: 1:5

Contract: Goodyear Toilets

ROOMS 7 & 11

TOTAL SETTING OUT VANITY UNIT

Revision: 0, Sheet Number: 1/11